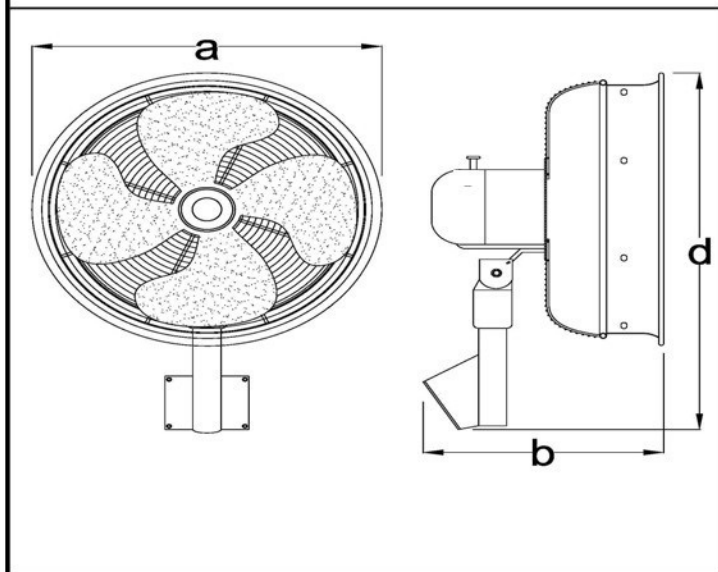


Establish data	2011/02/15		Modify data	
Department	Reference room		Modify sujet	
Approve		Standard of product	Edition	1 Page



Size of products		
a	520	mm
b	380	mm
c	700	mm
d		mm
N.W	9.3	Kgs
G.W	11.5	Kgs
Carton size	540 x 350 x 540mm	mm

Guard net	18"TA 8 Ψ spokes, color black
Iron base	Φ 42x1.2mm color black
Inner pipe	x

Quantify of container		
20"	280	pcs
40"	576	pcs
40" HQ	664	pcs

Color	Power cord length	Electric length	Blade size	Swim degree	Bend degree
color black 黒色	3.0m J-051-1 SR9cm	1-011=2.5m	45cm*4	70	50

Speed control	TC protect	Iron plate size	Iron	Middle pipe	Guard net ring
3 speed	120°C - 5A S-183	x	0.8 x Φ 520 x Φ 491.9 x 95mm	x	x

Electric information						
VOLTAGE			120V/ 60Hz (4C03126S3)			
	(A)	(W)	(RPM)	(m/min)	(m ³ /min)	
High	50HZ					
	60HZ	1.5	181	1550	334	150
middle	50HZ					
	60HZ	1.16	140	1330		
Low	50HZ					
	60HZ	0.95	116	1135		

Appurtenances	
Name	Quantity
x	x