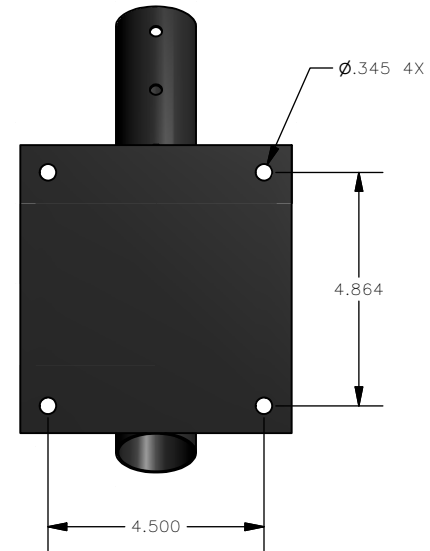
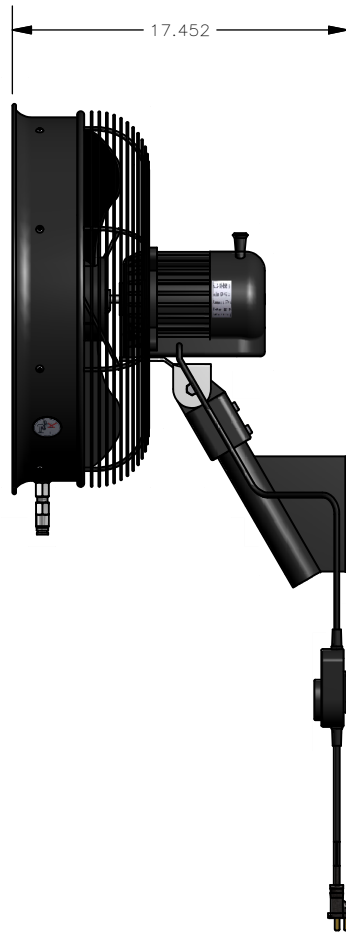
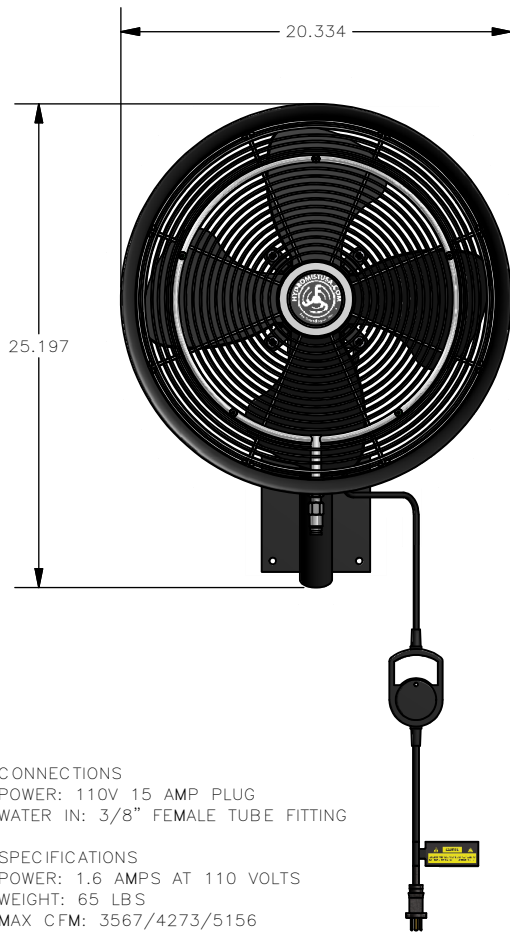


NOTES: UNLESS OTHERWISE SPECIFIED

1. DIMENSIONS WILL VARY ACCORDING TO MOUNTING POSITION AND OSCILLATING POSITION.
2. MOUNTING DIMENSIONS FOR THE BOLT HOLES MAY VARY.

REV	REVISION DESCRIPTION	BY	APVD	DATE
	INITIAL RELEASE	DPK		7/15/2014



CONNECTIONS
 POWER: 110V 15 AMP PLUG
 WATER IN: 3/8" FEMALE TUBE FITTING

SPECIFICATIONS
 POWER: 1.6 AMPS AT 110 VOLTS
 WEIGHT: 65 LBS
 MAX CFM: 3567/4273/5156

SHIPPING
 CLASS: GROUND
 BOX: 21"x21"x14"
 PALLET: NO

CONFIDENTIAL INFORMATION

PART NO:	F10-01-011
MATERIAL:	N/A
FINISH:	N/A



DO NOT SCALE
DRAWING

TOLERANCES UNLESS OTHERWISE SPECIFIED		125/
.X ±.100	.XXX ±.005	✓
.XX ±.010	.XXXX ±.001	
ANGLE ±1'	FRACTIONAL ±N/A	

DWN BY: D.KOWAL 7/15/2014

APVD BY:



LEGAL NOTICE: TRADE SECRETS AND/OR CONFIDENTIAL/ PROPRIETARY INFORMATION OWNED BY FAN TECHNOLOGIES IS CONTAINED HEREIN AND MAY NOT BE DISCLOSED, USED, DUPLICATED OR DISTRIBUTED WITHOUT FANTECH'S PRIOR WRITTEN CONSENT. YOUR FAILURE TO PROTECT FAN TECHNOLOGIES' TRADE SECRETS AND/OR CONFIDENTIAL/PROPRIETARY INFORMATION MAY RESULT IN YOUR LIABILITY FOR ALL RESULTING DAMAGES AND LOSSES.

DESCRIPTION:	BLACK 18" FAN 5 NOZZLES
DIMENSIONS ARE IN INCHES UNLESS OTHERWISE SPECIFIED	DRAWING NO: F10-01-011_CUT SHEET-18in BLK
SHEET 1 OF 1	